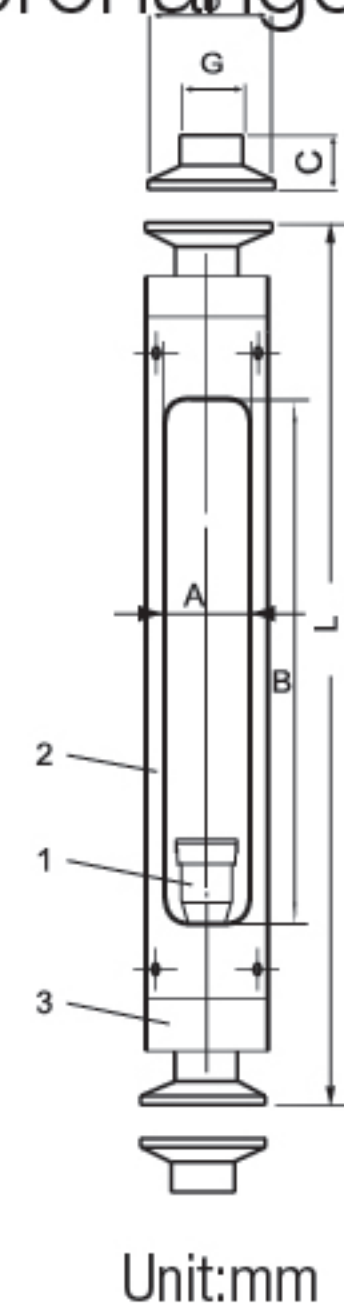


# The Series VA30S/VA30G Glass Rotameter

High measurement accuracy and good interchangeability



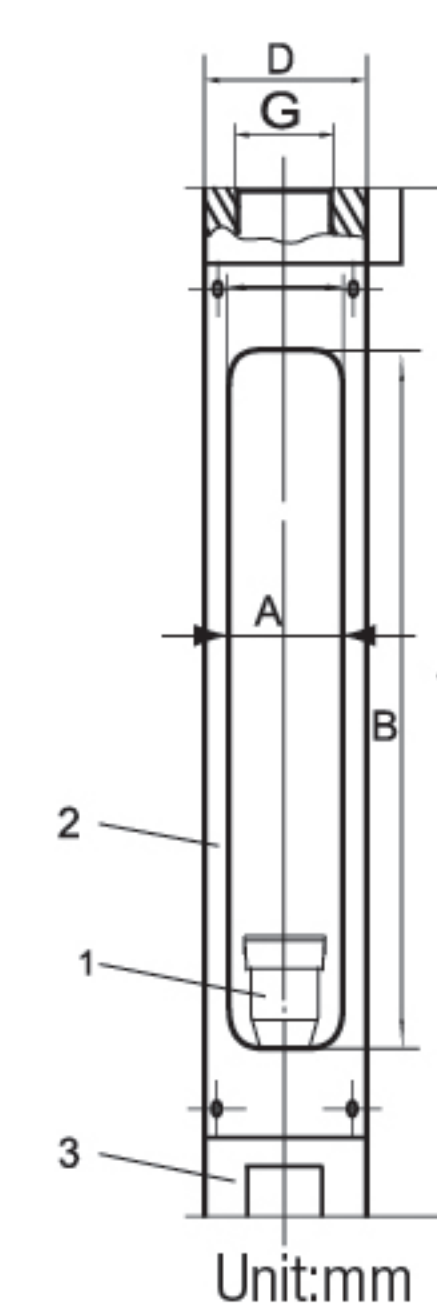
VA30S



Unit:mm



VA30G



Unit:mm

The Series VA30S/VA30G Glass Rotameter is a variable area flowmeter. Its measuring tube is made of transparent glass. When fluid flows through the tube, the float suspends under the action of hydrodynamic force and its own gravity. The greater the fluid flow rate, the higher the float rises. The flow value can be directly read from the float's position. With excellent chemical compatibility, it becomes a preferred tool for laboratory, food & pharmaceutical, and small-to-medium flow measurement applications. Its lightweight design and easy-to-observe features make it particularly advantageous in scenarios requiring visual operation.

SPECIFICATIONS	
<b>Service</b>	Compatible liquids or Gases
<b>Material</b>	Connection: 304 stainless steel; Seal: Fluororubber
<b>Accuracy</b>	±2.5%
<b>Turn-down Ratio</b>	10 : 1
<b>Temperature Rating</b>	-20°C to 120°C
<b>Pressure Rating</b>	Refer to the technical specification
<b>Connection</b>	Optional thread connection, compression fitting

## FEATURES

- High measurement accuracy and good interchangeability
- The float rotates only with the fluid flow, featuring no mechanical wear, low maintenance costs, and a long service life. Lightweight and cost-effective
- Provides an economical solution for flow measurement
- Vertical installation without straight pipe sections
- Allows direct observation of fluid status and float position for easy reading

## APPLICATIONS

- Pharmaceutical Industry
- Semiconductor Industry
- Food and Beverage Industry
- Urban Water Supply and Drainage
- Environmental Protection
- New Energy Industry
- Scientific research institution

## Material

No.	Material
1	304SS, 316* or PTFE
2	304SS
3	304SS, 316*

MODEL CHART						
Example	VA	30S	-15	-4L/h-40L/h	L	P
<b>Series</b>	The Series VA30S/VA30G					
<b>Connection</b>		30S				Thread connection type
		30G				Compression fitting type
<b>Pipe Size</b>			15			Please refer to the technical specification, outline dimension and material list
			25			Please refer to the technical specification, outline dimension and material list
			40			Please refer to the technical specification, outline dimension and material list
			50			Please refer to the technical specification, outline dimension and material list
			65			Please refer to the technical specification, outline dimension and material list
<b>Flow Range</b>			XXXXXXX			Select the range in the technical specification table, e.g., "4L/h-40L/h"
<b>Medium</b>					A	Gas
					L	Liquid
<b>Float Material</b>						P PTFE
						S 304 stainless steel
						T 316 stainless steel

## Specifications

Pipe Size DN(mm)	Model	Measurement Range		Working Pressure (MPa)	Temperature
		Liquid(L/h)	Gas(m³/h)		
15	VA30S-15 VA30G-15	4~40	0.12~1.2	≤ 1.0	-20°C ~120°C
		6~60	0.3~3		
		10~100	0.5~5		
		16~160	0.8~8		
		25~250	1.2~12		
25	VA30S-25 VA30G-25	63~630	2~20	≤ 1.0	-20°C ~120°C
		100~1000	3~30		
		160~1600	5~50		
40	VA30S-40 VA30G-40	250~2500	8~80	≤ 0.9	-20°C ~120°C
		400~4000	12~120		
		400~4000	12~120		
50	VA30S-50 VA30G-50	400~4000	12~120	≤ 0.7	-20°C ~120°C
		630~6300	20~200		
		1000~10000	30~300		
		4000~16000	30~300		
*65	VA30S-65 VA30G-65	5000~25000	80~800	≤ 0.6	-20°C ~120°C
		8000~40000	240~1000		

\*Special-made products must be confirmed with the factory before ordering.

## VA30S Overall Dimensions

Pipe Size DN(mm)	Thread Connection						Weight(kg)
	L	B	A	D	G		
15	344	270	25	38	1/2"F/NPT* 1/2"BSP	1.4	
25	348	236	40	55	1"F/NPT* 1" BSP	2.1	
40	370	226	50	70	1½" F/NPT* 1½" BSP	3.6	
50	410	226	60	89	2"F/NPT* 2" BSP	6.0	
65	420	226	80	108	2½"F/NPT* 2½" BSP	12.5	

\*Special-made

## VA30G Overall Dimensions

Pipe Size DN(mm)	Clamp Connection						Weight(kg)
	L	B	A	C	D	G	
15	370	270	25	21	51	19	1.6
25	378	236	40	21	51	25.4	2.4
40	378	226	50	21	64	45	4
50	410	226	60	21	64	51	6.5
65	420	226	80	21	77.5	63	12.5